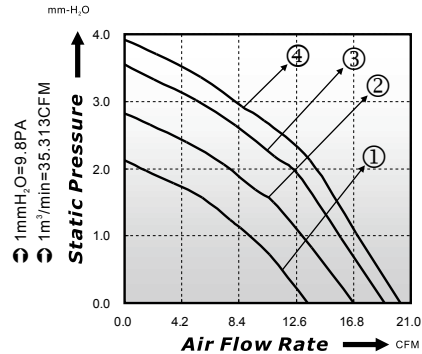


60x60x10mm

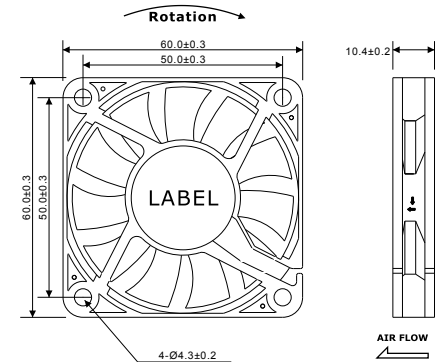


■ P-Q Curve (At Rated Voltage)



■ Dimensions Drawing

Unit: (mm)



Model No	Bearing (*)	Rated Voltage (VDC)	Rated Current (A)	Power Consumption (Watts)	Speed (rpm)	Air Flow (CFM)	Static Pressure (mmH ₂ O)	Noise (dBA)	Curve
ED06010-05L*	○ ● ⊖	5	0.23	1.15	3500	13.46	2.12	25.5	1
ED06010-05M*	○ ● ⊖	5	0.30	1.50	4000	16.81	2.82	32.4	2
ED06010-05H*	○ ● ⊖	5	0.35	1.75	4500	19.11	3.55	35.0	3
ED06010-12L*	○ ● ⊖	12	0.11	1.32	3500	13.46	2.12	25.5	1
ED06010-12M*	○ ● ⊖	12	0.15	1.80	4000	16.81	2.82	32.4	2
ED06010-12H*	○ ● ⊖	12	0.22	2.64	4500	19.11	3.55	35.0	3
ED06010-12HH*	○ ● ⊖	12	0.22	2.64	4800	20.24	3.92	36.9	4
ED06010-24L*	○ ● ⊖	24	0.08	1.92	3500	13.46	2.12	25.5	1
ED06010-24M*	○ ● ⊖	24	0.09	2.16	4000	16.81	2.82	32.4	2
ED06010-24H*	○ ● ⊖	24	0.11	2.64	4500	19.11	3.55	35.0	3
ED06010-24HH*	○ ● ⊖	24	0.14	3.36	4800	20.24	3.92	36.9	4

* Bearing Type: ○ Sleeve ● Two Ball ⊖ Hydro-Dynamic